

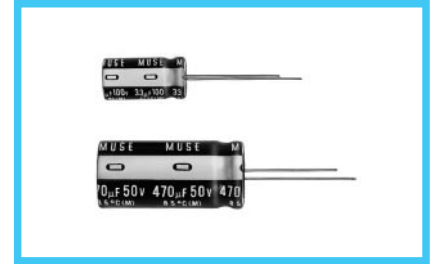
# ALUMINUM ELECTROLYTIC CAPACITORS



Premium Grade Type, For Audio Equipment



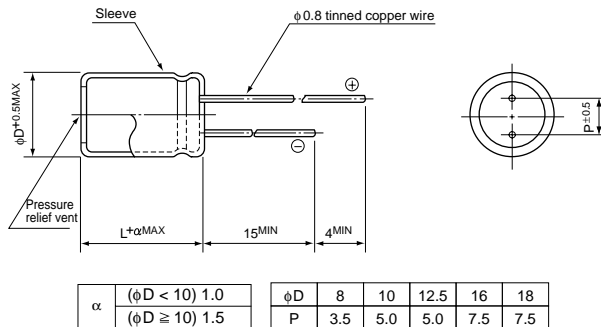
- Premium grade “nichicon MUSE” acoustic series.
- Ideally suited for first class audio equipment where qualitative and quantitative comfortableness is required.



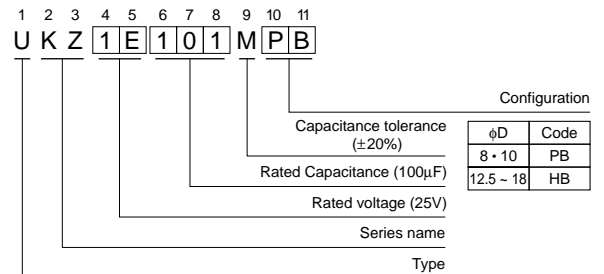
## Specifications

Item	Performance Characteristics												
Category Temperature Range	-40 ~ +85°C												
Rated Voltage Range	25 ~ 100V												
Rated Capacitance Range	10 ~ 1000µF												
Capacitance Tolerance	±20% at 120Hz, 20°C												
Leakage Current	After 1 minute's application of rated voltage, leakage current is 0.01CV or less.												
tan δ	Measurement frequency : 120Hz, Temperature : 20°C												
	<table border="1"> <tr> <td>Rated voltage (V)</td> <td>25</td> <td>50</td> <td>100</td> </tr> <tr> <td>tan δ (MAX.)</td> <td>0.12</td> <td>0.08</td> <td>0.07</td> </tr> </table>	Rated voltage (V)	25	50	100	tan δ (MAX.)	0.12	0.08	0.07				
Rated voltage (V)	25	50	100										
tan δ (MAX.)	0.12	0.08	0.07										
Stability at Low Temperature	Measurement frequency : 120Hz												
	<table border="1"> <tr> <td>Rated voltage (V)</td> <td>25</td> <td>50</td> <td>100</td> </tr> <tr> <td>Impedance ratio Z-25°C / Z+20°C</td> <td>2</td> <td>2</td> <td>2</td> </tr> <tr> <td>ZT / Z20 (MAX.)</td> <td>Z-40°C / Z+20°C</td> <td>4</td> <td>3</td> <td>3</td> </tr> </table>	Rated voltage (V)	25	50	100	Impedance ratio Z-25°C / Z+20°C	2	2	2	ZT / Z20 (MAX.)	Z-40°C / Z+20°C	4	3
Rated voltage (V)	25	50	100										
Impedance ratio Z-25°C / Z+20°C	2	2	2										
ZT / Z20 (MAX.)	Z-40°C / Z+20°C	4	3	3									
Endurance	After 1000 hours' application of rated voltage at 85°C, capacitors meet the characteristic requirements listed at right.												
	Capacitance change	Within ±20% of initial value											
	tan δ	150% or less of initial specified value											
Shelf Life	After leaving capacitors under no load at 85°C for 1000 hours, they meet the specified value for endurance characteristics listed above.												
	Leakage Current	Initial specified value or less											
Marking	Printed with gold color letter on black sleeve.												

## Radial Lead Type



## Type numbering system (Example : 25V 100µF)



※ Please contact to us if Eco-Products are required.

## Dimensions

D × L (mm)

Cap.(µF)	V			
	Code	25	50	100
10	100	1E	1H	2A
22	220		8 × 11.5	10 × 16
33	330	8 × 11.5	10 × 12.5	10 × 20
47	470	10 × 12.5	10 × 16	12.5 × 20
100	101	10 × 16	12.5 × 20	16 × 25
220	221	12.5 × 20	16 × 25	16 × 35.5
330	331	12.5 × 25	16 × 31.5	18 × 35.5
470	471	16 × 25	16 × 35.5	
1000	102	16 × 35.5	18 × 40	

Please refer to page 19, 20, 21 about the formed or taped product spec.  
 Please refer to page 3 for the minimum order quantity.