

**LPO Aluminum Electrolytic Capacitors For Audio**

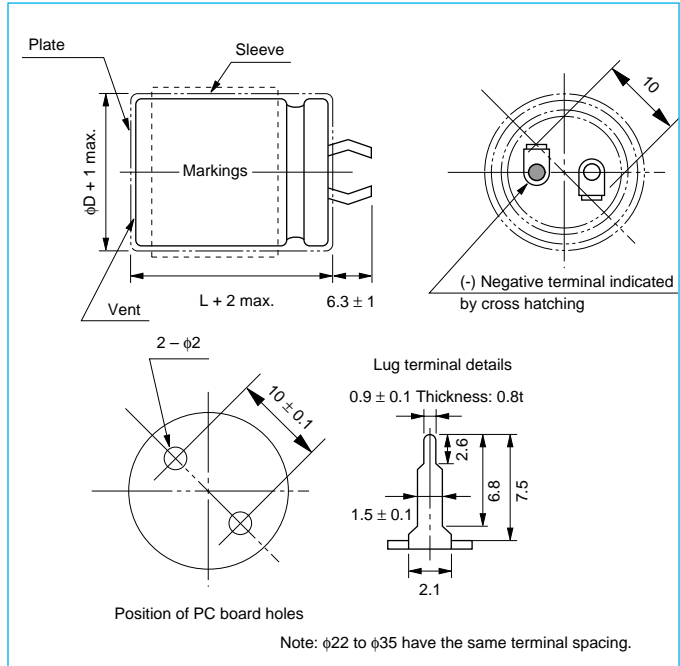
**Series LPO Type I, Type II For Power Supply Filter**

- High quality sound with a very high response due to a formation method newly developed for audio applications.
- Most suitable for power supply of pre-amplifier and main-amplifier.

Photo



Outline Drawing



**Specifications**

No.	Item	Performance																						
1	Temperature range (°C)	-40 to +85																						
2	Leakage current	Less than 0.03 CV (µA) or 3 mA whichever is smaller (after five minutes), C: Capacitance (µF), V: Voltage (V)																						
3	Capacitance tolerance (%)	±20 (20°C, 120 Hz)																						
4	Tangent of loss angle (tan δ)	<table border="1"> <tr> <th>Rated voltage (V)</th> <td>16</td> <td>25</td> <td>35</td> <td>42</td> <td>50</td> <td>56</td> <td>63</td> <td>71</td> <td>80</td> <td>100</td> </tr> <tr> <th>tan δ</th> <td colspan="2">0.40</td> <td colspan="2">0.35</td> <td colspan="6">0.30</td> </tr> </table>	Rated voltage (V)	16	25	35	42	50	56	63	71	80	100	tan δ	0.40		0.35		0.30					
		Rated voltage (V)	16	25	35	42	50	56	63	71	80	100												
tan δ	0.40		0.35		0.30																			
		(20°C, 120 Hz)																						
5	Stability at low temperature	<table border="1"> <tr> <th>Rated voltage (V)</th> <td colspan="4">16 to 100</td> </tr> <tr> <th>Impedance ratio Z-40°C/Z+20°C</th> <td colspan="4">12</td> </tr> </table>	Rated voltage (V)	16 to 100				Impedance ratio Z-40°C/Z+20°C	12															
		Rated voltage (V)	16 to 100																					
Impedance ratio Z-40°C/Z+20°C	12																							
		(120 Hz)																						
6	Endurance (85°C) (Applied ripple current)	Test time	1000 hrs																					
		Leakage current	Initial specified value or less																					
		Change in capacitance	Within ±20% of initial value																					
		tan δ	200% or less of initial specified value																					
7	Max. storage temp. (85°C)	Test time	1000 hrs																					
		Leakage current	Initial specified value or less																					
		Change in capacitance	Within ± 20% of initial value																					
		tan δ	200% or less of initial specified value																					
		Voltage application treatment.																						
8	Applicable Standards	JIS C 5101-1, 5101-4 1998 (IEC 60384-1 1992, 60384-4 1985)																						

**Coefficients of Frequency for Ripple Current**

Rated Voltage (V) \ Frequency (Hz)	50	120	10 k	1 k	20 k
16 to 56	0.95	1	1.10	1.15	1.15
63 to 100	0.95	1	1.16	1.30	1.33

**Coefficients of Temperature for Ripple Current**

Temperature (°C)	+40 or less	+55	+70	+85
Coefficients	2.1	1.8	1.5	1

**LPO Aluminum Electrolytic Capacitors For Audio**

**Case size by working voltage & capacitance (in mm)  
Type I**

(mm)

WV(V) Cap.(µF)	16	25	35	42	50	56	63	71	80	100
390										22 x 20
560									22 x 20	25 x 20
680								22 x 20		22 x 25
820							22 x 20		25 x 20	22 x 30 / 25 x 25 / 30 x 20
1000					22 x 20	22 x 20		25 x 20	22 x 25	22 x 35 / 25 x 30
1200					22 x 20	22 x 20	25 x 20	22 x 25	22 x 30 / 25 x 25 / 30 x 20	22 x 40 / 25 x 35 / 30 x 25
1500				22 x 20		25 x 20	22 x 25	22 x 30 / 25 x 25 / 30 x 20	22 x 35 / 25 x 30 / 35 x 20	22 x 45 / 25 x 40 / 30 x 30
1800					25 x 20	22 x 25	22 x 30 / 25 x 25 / 30 x 20	22 x 35 / 25 x 30 / 35 x 20	22 x 40 / 25 x 30 / 35 x 20	22 x 45 / 25 x 40 / 30 x 30
2200			22 x 20	22 x 25 / 25 x 20	22 x 25 / 30 x 20	22 x 30 / 30 x 20	22 x 35 / 25 x 30	22 x 40 / 25 x 35 / 30 x 25	22 x 45 / 25 x 40 / 30 x 30	25 x 50 / 30 x 40 / 35 x 30
2700			25 x 20	22 x 30 / 30 x 20	22 x 30 / 25 x 25	22 x 35 / 25 x 25	22 x 40 / 25 x 35 / 30 x 25	22 x 45 / 25 x 40 / 30 x 30	22 x 50 / 25 x 45 / 30 x 35 / 35 x 25	30 x 45 / 35 x 35
3300		22 x 20	22 x 25	22 x 35 / 25 x 25	22 x 35 / 25 x 25	22 x 40 / 25 x 30 / 35 x 20	22 x 45 / 25 x 40 / 30 x 30	22 x 50 / 25 x 45 / 30 x 35 / 35 x 25	25 x 50 / 30 x 40 / 35 x 30	30 x 50 / 35 x 40
3900		25 x 20	22 x 30	25 x 30 / 35 x 20	22 x 40 / 30 x 25 / 35 x 20	22 x 45 / 30 x 25 / 35 x 20	22 x 50 / 25 x 45 / 30 x 25 / 35 x 25	25 x 50 / 30 x 40 / 35 x 30	30 x 45 / 35 x 35	35 x 45
4700	22 x 20	22 x 25	22 x 35 / 25 x 25 / 30 x 20	22 x 40 / 25 x 35 / 30 x 25	22 x 45 / 25 x 35	22 x 50 / 25 x 40 / 30 x 30 / 35 x 25	25 x 45 / 30 x 35 / 35 x 30	30 x 45 / 35 x 35	30 x 50 / 35 x 40	35 x 50
5600		22 x 30	22 x 40 / 25 x 30 / 35 x 20	22 x 50 / 25 x 40 / 30 x 30	22 x 50 / 25 x 40 / 30 x 30 / 35 x 25	25 x 45 / 30 x 35 / 35 x 30	30 x 45 / 35 x 35	30 x 50 / 35 x 40	35 x 45	
6800	25 x 20	22 x 35 / 25 x 25 / 30 x 20	22 x 45 / 25 x 35 / 30 x 25	25 x 45 / 30 x 35 / 35 x 25	25 x 50 / 30 x 35 / 35 x 30	25 x 50 / 30 x 35 / 35 x 30	30 x 45 / 35 x 40	35 x 45	35 x 50	
8200	22 x 25	22 x 40 / 25 x 30 / 35 x 20	22 x 50 / 25 x 40 / 30 x 30	25 x 50 / 30 x 40 / 35 x 30	30 x 40 / 35 x 35	30 x 45 / 35 x 40	35 x 45	35 x 50		
10000	22 x 30 / 30 x 20	22 x 45 / 25 x 35 / 30 x 25	25 x 45 / 30 x 35 / 35 x 25	30 x 45 / 35 x 35	30 x 50 / 35 x 40	30 x 50 / 35 x 45	35 x 50			
12000	22 x 35 / 25 x 25	22 x 50 / 25 x 40 / 30 x 30 / 35 x 25	25 x 50 / 30 x 40 / 35 x 30	30 x 50 / 35 x 40	35 x 45	35 x 50				
15000	22 x 40 / 25 x 30 / 35 x 20	25 x 45 / 30 x 35	30 x 45 / 35 x 35	35 x 45	35 x 50					
18000	22 x 45 / 25 x 35 / 30 x 25	25 x 50 / 30 x 40 / 35 x 30	30 x 50 / 35 x 40	35 x 50						
22000	22 x 50 / 25 x 40 / 30 x 30 / 35 x 25	30 x 50 / 35 x 35								
24000			35 x 50							
27000	25 x 50 / 30 x 35 / 35 x 30	35 x 40								
33000	30 x 40 / 35 x 35	35 x 50								
39000	30 x 50									

**Type II**

WV(V) Cap.(µF)	16	25	35	42	50	56	63	71	80	100
270										22 x 20
330										25 x 20
390										22 x 25
470								22 x 20	22 x 20	
560							22 x 20			22 x 30 / 25 x 25 / 30 x 20
680								25 x 20	22 x 25 / 25 x 20	22 x 35 / 25 x 30 / 35 x 20
820					22 x 20	22 x 20	25 x 20	22 x 25	22 x 30 / 30 x 20	22 x 40 / 25 x 35 / 30 x 25
1000							22 x 25	22 x 30 / 30 x 20	22 x 35 / 25 x 25	22 x 45 / 25 x 40 / 30 x 30
1200				22 x 20	22 x 25 / 25 x 20	22 x 25 / 25 x 20	22 x 30 / 30 x 20	22 x 35 / 25 x 25	22 x 40 / 25 x 30 / 35 x 20	22 x 50 / 25 x 45 / 30 x 35 / 35 x 25
1500						22 x 30	22 x 35 / 25 x 25	22 x 40 / 25 x 30 / 35 x 20	22 x 45 / 25 x 35 / 30 x 25 / 35 x 20	25 x 50 / 30 x 40 / 35 x 30
1800			22 x 20	22 x 25 / 25 x 20	22 x 30 / 30 x 20	22 x 35 / 25 x 25 / 30 x 20	22 x 40 / 25 x 30 / 35 x 20	22 x 45 / 25 x 35	22 x 50 / 25 x 40 / 30 x 30 / 35 x 25	30 x 45 / 35 x 35
2200		22 x 20	25 x 20	22 x 30	22 x 35 / 25 x 25 / 35 x 20	22 x 40 / 25 x 30 / 35 x 20	22 x 45 / 25 x 35 / 30 x 25	22 x 50 / 25 x 40 / 30 x 30 / 35 x 25	25 x 45 / 30 x 35 / 35 x 30	30 x 50 / 35 x 40
2700			22 x 25	22 x 35 / 25 x 25 / 30 x 20	22 x 40 / 25 x 30 / 30 x 25	22 x 45 / 25 x 35 / 30 x 25	22 x 50 / 25 x 40 / 30 x 30 / 35 x 25	25 x 45 / 30 x 35	25 x 50 / 30 x 40 / 35 x 30	35 x 45
3300		25 x 20	22 x 30 / 30 x 20	22 x 40 / 25 x 30 / 35 x 20	22 x 45 / 25 x 35	22 x 50 / 25 x 40 / 30 x 30	25 x 45 / 30 x 35	25 x 50 / 30 x 40 / 35 x 35	30 x 45 / 35 x 40	35 x 50
3900	22 x 20	22 x 25	22 x 35 / 25 x 25	22 x 45 / 25 x 35 / 30 x 25	22 x 50 / 25 x 40 / 30 x 30 / 35 x 25	25 x 45 / 30 x 35 / 35 x 25	25 x 50 / 30 x 40 / 35 x 30	30 x 45 / 35 x 40	30 x 50 / 35 x 45	
4700	25 x 20	22 x 30 / 30 x 20	22 x 40 / 25 x 30 / 35 x 20	22 x 50 / 25 x 40 / 30 x 30	25 x 45 / 30 x 35 / 35 x 30	25 x 50 / 30 x 40 / 35 x 30	30 x 45 / 35 x 35	30 x 50 / 35 x 45	35 x 50	
5600	22 x 25	22 x 35 / 25 x 25	22 x 45 / 25 x 35 / 30 x 25	25 x 45 / 30 x 35 / 35 x 25	25 x 50 / 30 x 40 / 35 x 30	30 x 45 / 35 x 35	30 x 50 / 35 x 40	35 x 45		
6800	22 x 30 / 30 x 20	22 x 40 / 25 x 30 / 35 x 20	22 x 50 / 25 x 40 / 30 x 30	25 x 50 / 30 x 40 / 35 x 30	30 x 45 / 35 x 40	30 x 50 / 35 x 40	35 x 45			
8200	22 x 35 / 25 x 25	22 x 45 / 25 x 35 / 30 x 25	25 x 45 / 30 x 35 / 35 x 25	30 x 45 / 35 x 35	30 x 50 / 35 x 45	35 x 45	35 x 50			
10000	22 x 40 / 25 x 30 / 35 x 20	22 x 50 / 25 x 40 / 30 x 30	25 x 50 / 30 x 40 / 35 x 30	30 x 50 / 35 x 40	35 x 50	35 x 50				
12000	22 x 45 / 25 x 35 / 30 x 25	25 x 45 / 30 x 35 / 35 x 25	30 x 45 / 35 x 35	35 x 45						
15000	22 x 50 / 25 x 40 / 30 x 30	25 x 50 / 30 x 40 / 35 x 30	30 x 50 / 35 x 40	35 x 50						
18000	25 x 45 / 30 x 35 / 35 x 25	30 x 45 / 35 x 35	35 x 45							
22000	25 x 50 / 30 x 40 / 35 x 30	30 x 50 / 35 x 40	35 x 50							
27000	30 x 45 / 35 x 35	35 x 45								
33000	30 x 50 / 35 x 40									
39000	35 x 45									
47000	35 x 50									

Large Capacitance LPO

## LPO Aluminum Electrolytic Capacitors For Audio

### Standard Ratings Type I

ELNA PART NO. / WV (V)	CAP. (μF)	SIZE (φx L) (mm)	tan δ	Ripple Current (Arms)
<b>16 V</b>				
LPO-16V472MS21F1	4700	22 x 20	0.40	1.60
LPO-16V682MS31F1	6800	25 x 20	0.40	2.01
LPO-16V822MS22F1	8200	22 x 25	0.40	2.22
LPO-16V103MS23F1	10000	22 x 30	0.40	2.55
LPO-16V103MS41F1	10000	30 x 20	0.40	2.64
LPO-16V123MS24F1	12000	22 x 35	0.40	2.89
LPO-16V123MS32F1	12000	25 x 25	0.40	2.80
LPO-16V153MS25F1	15000	22 x 40	0.40	3.33
LPO-16V153MS33F1	15000	25 x 30	0.40	3.26
LPO-16V153MS51F1	15000	35 x 20	0.40	3.45
LPO-16V183MS26F1	18000	22 x 45	0.40	3.74
LPO-16V183MS34F1	18000	25 x 35	0.40	3.69
LPO-16V183MS42F1	18000	30 x 25	0.40	3.70
LPO-16V223MS27F1	22000	22 x 50	0.40	4.23
LPO-16V223MS35F1	22000	25 x 40	0.40	4.20
LPO-16V223MS43F1	22000	30 x 30	0.40	4.24
LPO-16V223MS52F1	22000	35 x 25	0.40	4.35
LPO-16V273MS37F1	27000	25 x 50	0.40	4.88
LPO-16V273MS44F1	27000	30 x 35	0.40	4.85
LPO-16V273MS53F1	27000	35 x 30	0.40	4.99
LPO-16V333MS45F1	33000	30 x 40	0.40	5.51
LPO-16V333MS54F1	33000	35 x 35	0.40	5.68
LPO-16V393MS47F1	39000	30 x 50	0.40	6.26
<b>25 V</b>				
LPO-25V332MS21F1	3300	22 x 20	0.40	1.34
LPO-25V392MS31F1	3900	25 x 20	0.40	1.53
LPO-25V472MS22F1	4700	22 x 25	0.40	1.68
LPO-25V562MS23F1	5600	22 x 30	0.40	1.91
LPO-25V682MS24F1	6800	22 x 35	0.40	2.18
LPO-25V682MS32F1	6800	25 x 25	0.40	2.12
LPO-25V682MS41F1	6800	30 x 20	0.40	2.19
LPO-25V822MS25F1	8200	22 x 40	0.40	2.47
LPO-25V822MS33F1	8200	25 x 30	0.40	2.42
LPO-25V822MS51F1	8200	35 x 20	0.40	2.56
LPO-25V103MS26F1	10000	22 x 45	0.40	2.80
LPO-25V103MS34F1	10000	25 x 35	0.40	2.76

ELNA PART NO. / WV (V)	CAP. (μF)	SIZE (φx L) (mm)	tan δ	Ripple Current (Arms)
LPO-25V103MS42F1	10000	30 x 25	0.40	2.77
LPO-25V123MS27F1	12000	22 x 50	0.40	3.13
LPO-25V123MS35F1	12000	25 x 40	0.40	3.12
LPO-25V123MS43F1	12000	30 x 30	0.40	3.15
LPO-25V123MS52F1	12000	35 x 25	0.40	3.23
LPO-25V153MS36F1	15000	25 x 45	0.40	3.57
LPO-25V153MS44F1	15000	30 x 35	0.40	3.63
LPO-25V183MS37F1	18000	25 x 50	0.40	4.00
LPO-25V183MS45F1	18000	30 x 40	0.40	4.09
LPO-25V183MS53F1	18000	35 x 30	0.40	4.09
LPO-25V223MS47F1	22000	30 x 50	0.40	4.73
LPO-25V223MS54F1	22000	35 x 35	0.40	4.66
LPO-25V273MS55F1	27000	35 x 40	0.40	5.29
LPO-25V333MS57F1	33000	35 x 50	0.40	6.11
<b>35 V</b>				
LPO-35V222MS21F1	2200	22 x 20	0.35	1.18
LPO-35V272MS31F1	2700	25 x 20	0.35	1.37
LPO-35V332MS22F1	3300	22 x 25	0.35	1.51
LPO-35V392MS23F1	3900	22 x 30	0.35	1.71
LPO-35V472MS24F1	4700	22 x 35	0.35	1.95
LPO-35V472MS32F1	4700	25 x 25	0.35	1.89
LPO-35V472MS41F1	4700	30 x 20	0.35	1.95
LPO-35V562MS25F1	5600	22 x 40	0.35	2.19
LPO-35V562MS33F1	5600	25 x 30	0.35	2.15
LPO-35V562MS51F1	5600	35 x 20	0.35	2.28
LPO-35V682MS26F1	6800	22 x 45	0.35	2.48
LPO-35V682MS34F1	6800	25 x 35	0.35	2.45
LPO-35V682MS42F1	6800	30 x 25	0.35	2.45
LPO-35V822MS27F1	8200	22 x 50	0.35	2.78
LPO-35V822MS35F1	8200	25 x 40	0.35	2.77
LPO-35V822MS43F1	8200	30 x 30	0.35	2.79
LPO-35V103MS36F1	10000	25 x 45	0.35	3.13
LPO-35V103MS44F1	10000	30 x 35	0.35	3.18
LPO-35V103MS52F1	10000	35 x 25	0.35	3.17
LPO-35V123MS37F1	12000	25 x 50	0.35	3.51
LPO-35V123MS45F1	12000	30 x 40	0.35	3.58
LPO-35V123MS53F1	12000	35 x 30	0.35	3.59

Note: Allowable Ripple Current 120 Hz at 85°C

## LPO Aluminum Electrolytic Capacitors For Audio

### Standard Ratings Type I

ELNA PART NO. / WV (V)	CAP. (μF)	SIZE (φx L) (mm)	tan δ	Ripple Current (Arms)
LPO-35V153MS46F1	15000	30 x 45	0.35	4.10
LPO-35V153MS54F1	15000	35 x 35	0.35	4.13
LPO-35V183MS47F1	18000	30 x 50	0.35	4.59
LPO-35V183MS55F1	18000	35 x 40	0.35	4.65
LPO-35V243MS57F1	24000	35 x 50	0.35	5.60
<b>42 V</b>				
LPO-42V152MS21F1	1500	22 x 20	0.35	0.97
LPO-42V222MS22F1	2200	22 x 25	0.35	1.24
LPO-42V222MS31F1	2200	25 x 20	0.35	1.24
LPO-42V272MS23F1	2700	22 x 30	0.35	1.43
LPO-42V272MS41F1	2700	30 x 20	0.35	1.48
LPO-42V332MS24F1	3300	22 x 35	0.35	1.64
LPO-42V332MS32F1	3300	25 x 25	0.35	1.59
LPO-42V392MS33F1	3900	25 x 30	0.35	1.80
LPO-42V392MS51F1	3900	35 x 20	0.35	1.91
LPO-42V472MS25F1	4700	22 x 40	0.35	2.01
LPO-42V472MS34F1	4700	25 x 35	0.35	2.04
LPO-42V472MS42F1	4700	30 x 25	0.35	2.05
LPO-42V562MS27F1	5600	22 x 50	0.35	2.30
LPO-42V562MS35F1	5600	25 x 40	0.35	2.29
LPO-42V562MS43F1	5600	30 x 30	0.35	2.32
LPO-42V682MS36F1	6800	25 x 45	0.35	2.59
LPO-42V682MS44F1	6800	30 x 35	0.35	2.63
LPO-42V682MS52F1	6800	35 x 25	0.35	2.62
LPO-42V822MS37F1	8200	25 x 50	0.35	2.91
LPO-42V822MS45F1	8200	30 x 40	0.35	2.97
LPO-42V822MS53F1	8200	35 x 30	0.35	2.98
LPO-42V103MS46F1	10000	30 x 45	0.35	3.36
LPO-42V103MS54F1	10000	35 x 35	0.35	3.39
LPO-42V123MS47F1	12000	30 x 50	0.35	3.76
LPO-42V123MS55F1	12000	35 x 40	0.35	3.81
LPO-42V153MS56F1	15000	35 x 45	0.35	4.35
LPO-42V183MS57F1	18000	35 x 50	0.35	4.87
<b>50 V</b>				
LPO-50V122MS21F1	1200	22 x 20	0.30	0.94
LPO-50V182MS31F1	1800	25 x 20	0.30	1.21
LPO-50V222MS22F1	2200	22 x 25	0.30	1.34

ELNA PART NO. / WV (V)	CAP. (μF)	SIZE (φx L) (mm)	tan δ	Ripple Current (Arms)
LPO-50V222MS41F1	2200	30 x 20	0.30	1.45
LPO-50V272MS23F1	2700	22 x 30	0.30	1.55
LPO-50V272MS32F1	2700	25 x 25	0.30	1.56
LPO-50V332MS24F1	3300	22 x 35	0.30	1.77
LPO-50V332MS33F1	3300	25 x 30	0.30	1.79
LPO-50V392MS25F1	3900	22 x 40	0.30	1.99
LPO-50V392MS42F1	3900	30 x 25	0.30	2.02
LPO-50V392MS51F1	3900	35 x 20	0.30	2.07
LPO-50V472MS26F1	4700	22 x 45	0.30	2.24
LPO-50V472MS34F1	4700	25 x 35	0.30	2.21
LPO-50V562MS27F1	5600	22 x 50	0.30	2.50
LPO-50V562MS35F1	5600	25 x 40	0.30	2.48
LPO-50V562MS43F1	5600	30 x 30	0.30	2.51
LPO-50V562MS52F1	5600	35 x 25	0.30	2.58
LPO-50V682MS37F1	6800	25 x 50	0.30	2.87
LPO-50V682MS44F1	6800	30 x 35	0.30	2.86
LPO-50V682MS53F1	6800	35 x 30	0.30	2.94
LPO-50V822MS45F1	8200	30 x 40	0.30	3.22
LPO-50V822MS54F1	8200	35 x 35	0.30	3.33
LPO-50V103MS47F1	10000	30 x 50	0.30	3.72
LPO-50V103MS55F1	10000	35 x 40	0.30	3.77
LPO-50V123MS56F1	12000	35 x 45	0.30	4.23
LPO-50V153MS57F1	15000	35 x 50	0.30	4.82
<b>56 V</b>				
LPO-56V122MS21F1	1200	22 x 20	0.30	0.94
LPO-56V152MS31F1	1500	25 x 20	0.30	1.11
LPO-56V182MS22F1	1800	22 x 25	0.30	1.22
LPO-56V222MS23F1	2200	22 x 30	0.30	1.40
LPO-56V222MS41F1	2200	30 x 20	0.30	1.46
LPO-56V272MS24F1	2700	22 x 35	0.30	1.61
LPO-56V272MS32F1	2700	25 x 25	0.30	1.56
LPO-56V332MS25F1	3300	22 x 40	0.30	1.83
LPO-56V332MS33F1	3300	25 x 30	0.30	1.80
LPO-56V332MS51F1	3300	35 x 20	0.30	1.91
LPO-56V392MS26F1	3900	22 x 45	0.30	2.04
LPO-56V392MS34F1	3900	25 x 35	0.30	2.02
LPO-56V392MS42F1	3900	30 x 25	0.30	2.03

Note: Allowable Ripple Current 120 Hz at 85°C

## LPO Aluminum Electrolytic Capacitors For Audio

### Standard Ratings Type I

ELNA PART NO. / WV (V)	CAP. (μF)	SIZE (φx L) (mm)	tan δ	Ripple Current (Arms)
LPO-56V472MS27F1	4700	22 x 50	0.30	2.29
LPO-56V472MS35F1	4700	25 x 40	0.30	2.28
LPO-56V472MS43F1	4700	30 x 30	0.30	2.31
LPO-56V472MS52F1	4700	35 x 25	0.30	2.37
LPO-56V562MS36F1	5600	25 x 45	0.30	2.55
LPO-56V562MS44F1	5600	30 x 35	0.30	2.60
LPO-56V562MS53F1	5600	35 x 30	0.30	2.68
LPO-56V682MS37F1	6800	25 x 50	0.30	2.88
LPO-56V682MS45F1	6800	30 x 40	0.30	2.95
LPO-56V682MS54F1	6800	35 x 35	0.30	3.04
LPO-56V822MS46F1	8200	30 x 45	0.30	3.31
LPO-56V822MS55F1	8200	35 x 40	0.30	3.43
LPO-56V103MS47F1	10000	30 x 50	0.30	3.74
LPO-56V103MS56F1	10000	35 x 45	0.30	3.87
LPO-56V123MS57F1	12000	35 x 50	0.30	4.33
<b>63 V</b>				
LPO-63V821MS21F1	820	22 x 20	0.30	0.78
LPO-63V122MS31F1	1200	25 x 20	0.30	0.99
LPO-63V152MS22F1	1500	22 x 25	0.30	1.12
LPO-63V182MS23F1	1800	22 x 30	0.30	1.27
LPO-63V182MS32F1	1800	25 x 25	0.30	1.28
LPO-63V182MS41F1	1800	30 x 20	0.30	1.32
LPO-63V222MS24F1	2200	22 x 35	0.30	1.46
LPO-63V222MS33F1	2200	25 x 30	0.30	1.47
LPO-63V272MS25F1	2700	22 x 40	0.30	1.66
LPO-63V272MS34F1	2700	25 x 35	0.30	1.69
LPO-63V272MS42F1	2700	30 x 25	0.30	1.69
LPO-63V272MS51F1	2700	35 x 20	0.30	1.74
LPO-63V332MS26F1	3300	22 x 45	0.30	1.88
LPO-63V332MS35F1	3300	25 x 40	0.30	1.92
LPO-63V332MS43F1	3300	30 x 30	0.30	1.94
LPO-63V392MS27F1	3900	22 x 50	0.30	2.10
LPO-63V392MS36F1	3900	25 x 45	0.30	2.14
LPO-63V392MS44F1	3900	30 x 35	0.30	2.18
LPO-63V392MS52F1	3900	35 x 25	0.30	2.17
LPO-63V472MS37F1	4700	25 x 50	0.30	2.40
LPO-63V472MS45F1	4700	30 x 40	0.30	2.46

ELNA PART NO. / WV (V)	CAP. (μF)	SIZE (φx L) (mm)	tan δ	Ripple Current (Arms)
LPO-63V472MS53F1	4700	35 x 30	0.30	2.47
LPO-63V562MS46F1	5600	30 x 45	0.30	2.75
LPO-63V562MS54F1	5600	35 x 35	0.30	2.77
LPO-63V682MS47F1	6800	30 x 50	0.30	3.09
LPO-63V682MS55F1	6800	35 x 40	0.30	3.13
LPO-63V822MS56F1	8200	35 x 45	0.30	3.52
LPO-63V103MS57F1	10000	35 x 50	0.30	3.96
<b>71 V</b>				
LPO-71V681MS21F1	680	22 x 20	0.30	0.71
LPO-71V102MS31F1	1000	25 x 20	0.30	0.91
LPO-71V122MS22F1	1200	22 x 25	0.30	1.00
LPO-71V152MS23F1	1500	22 x 30	0.30	1.17
LPO-71V152MS32F1	1500	25 x 25	0.30	1.17
LPO-71V152MS41F1	1500	30 x 20	0.30	1.21
LPO-71V182MS24F1	1800	22 x 35	0.30	1.32
LPO-71V182MS33F1	1800	25 x 30	0.30	1.34
LPO-71V182MS51F1	1800	35 x 20	0.30	1.42
LPO-71V222MS25F1	2200	22 x 40	0.30	1.50
LPO-71V222MS34F1	2200	25 x 35	0.30	1.53
LPO-71V222MS42F1	2200	30 x 25	0.30	1.53
LPO-71V272MS26F1	2700	22 x 45	0.30	1.71
LPO-71V272MS35F1	2700	25 x 40	0.30	1.74
LPO-71V272MS43F1	2700	30 x 30	0.30	1.76
LPO-71V332MS27F1	3300	22 x 50	0.30	1.93
LPO-71V332MS36F1	3300	25 x 45	0.30	1.97
LPO-71V332MS44F1	3300	30 x 35	0.30	2.01
LPO-71V332MS52F1	3300	35 x 25	0.30	2.01
LPO-71V392MS37F1	3900	25 x 50	0.30	2.19
LPO-71V392MS45F1	3900	30 x 40	0.30	2.25
LPO-71V392MS53F1	3900	35 x 30	0.30	2.26
LPO-71V472MS46F1	4700	30 x 45	0.30	2.53
LPO-71V472MS54F1	4700	35 x 35	0.30	2.55
LPO-71V562MS47F1	5600	30 x 50	0.30	2.82
LPO-71V562MS55F1	5600	35 x 40	0.30	2.86
LPO-71V682MS56F1	6800	35 x 45	0.30	3.22
LPO-71V822MS57F1	8200	35 x 50	0.30	3.61

Note: Allowable Ripple Current 120 Hz at 85°C

## LPO Aluminum Electrolytic Capacitors For Audio

### Standard Ratings Type I

ELNA PART NO. / WV (V)	CAP. (μF)	SIZE (φx L) (mm)	tan δ	Ripple Current (Arms)
<b>80 V</b>				
LPO-80V561MS21F1	560	22 x 20	0.30	0.65
LPO-80V821MS31F1	820	25 x 20	0.30	0.83
LPO-80V102MS22F1	1000	22 x 25	0.30	0.91
LPO-80V122MS23F1	1200	22 x 30	0.30	1.05
LPO-80V122MS32F1	1200	25 x 25	0.30	1.05
LPO-80V122MS41F1	1200	30 x 20	0.30	1.09
LPO-80V152MS24F1	1500	22 x 35	0.30	1.21
LPO-80V152MS33F1	1500	25 x 30	0.30	1.22
LPO-80V152MS51F1	1500	35 x 20	0.30	1.31
LPO-80V182MS25F1	1800	22 x 40	0.30	1.37
LPO-80V182MS34F1	1800	25 x 35	0.30	1.39
LPO-80V182MS42F1	1800	30 x 25	0.30	1.39
LPO-80V222MS26F1	2200	22 x 45	0.30	1.55
LPO-80V222MS35F1	2200	25 x 40	0.30	1.58
LPO-80V222MS43F1	2200	30 x 30	0.30	1.60
LPO-80V272MS27F1	2700	22 x 50	0.30	1.76
LPO-80V272MS36F1	2700	25 x 45	0.30	1.79
LPO-80V272MS44F1	2700	30 x 35	0.30	1.83
LPO-80V272MS52F1	2700	35 x 25	0.30	1.82
LPO-80V332MS37F1	3300	25 x 50	0.30	2.03
LPO-80V332MS45F1	3300	30 x 40	0.30	2.08
LPO-80V332MS53F1	3300	35 x 30	0.30	2.09
LPO-80V392MS46F1	3900	30 x 45	0.30	2.31
LPO-80V392MS54F1	3900	35 x 35	0.30	2.34
LPO-80V472MS47F1	4700	30 x 50	0.30	2.59
LPO-80V472MS55F1	4700	35 x 40	0.30	2.63
LPO-80V562MS56F1	5600	35 x 45	0.30	2.94
LPO-80V682MS57F1	6800	35 x 50	0.30	3.30
<b>100 V</b>				
LPO-100V391MS21F1	390	22 x 20	0.30	0.55
LPO-100V561MS31F1	560	25 x 20	0.30	0.69
LPO-100V681MS22F1	680	22 x 25	0.30	0.76
LPO-100V821MS23F1	820	22 x 30	0.30	0.87
LPO-100V821MS32F1	820	25 x 25	0.30	0.87
LPO-100V821MS41F1	820	30 x 20	0.30	0.91
LPO-100V102MS24F1	1000	22 x 35	0.30	0.99

ELNA PART NO. / WV (V)	CAP. (μF)	SIZE (φx L) (mm)	tan δ	Ripple Current (Arms)
LPO-100V102MS33F1	1000	25 x 30	0.30	1.01
LPO-100V122MS25F1	1200	22 x 40	0.30	1.13
LPO-100V122MS34F1	1200	25 x 35	0.30	1.14
LPO-100V122MS42F1	1200	30 x 25	0.30	1.15
LPO-100V122MS51F1	1200	35 x 20	0.30	1.18
LPO-100V152MS26F1	1500	22 x 45	0.30	1.29
LPO-100V152MS35F1	1500	25 x 40	0.30	1.32
LPO-100V152MS43F1	1500	30 x 30	0.30	1.33
LPO-100V182MS27F1	1800	22 x 50	0.30	1.45
LPO-100V182MS36F1	1800	25 x 45	0.30	1.48
LPO-100V182MS44F1	1800	30 x 35	0.30	1.51
LPO-100V182MS52F1	1800	35 x 25	0.30	1.51
LPO-100V222MS37F1	2200	25 x 50	0.30	1.67
LPO-100V222MS45F1	2200	30 x 40	0.30	1.71
LPO-100V222MS53F1	2200	35 x 30	0.30	1.72
LPO-100V272MS46F1	2700	30 x 45	0.30	1.94
LPO-100V272MS54F1	2700	35 x 35	0.30	1.97
LPO-100V332MS47F1	3300	30 x 50	0.30	2.20
LPO-100V332MS55F1	3300	35 x 40	0.30	2.23
LPO-100V392MS56F1	3900	35 x 45	0.30	2.48
LPO-100V472MS57F1	4700	35 x 50	0.30	2.78

Note: Allowable Ripple Current 120 Hz at 85°C

Large Capacitance

LPO

## LPO Aluminum Electrolytic Capacitors For Audio

### Standard Ratings Type II

ELNA PART NO. / WV (V)	CAP. (μF)	SIZE (φx L) (mm)	tan δ	Ripple Current (Arms)
<b>16 V</b>				
LPO-16V392MS21F2	3900	22 x 20	0.40	1.45
LPO-16V472MS31F2	4700	25 x 20	0.40	1.67
LPO-16V562MS22F2	5600	22 x 25	0.40	1.83
LPO-16V682MS23F2	6800	22 x 30	0.40	2.10
LPO-16V682MS41F2	6800	30 x 20	0.40	2.18
LPO-16V822MS24F2	8200	22 x 35	0.40	2.39
LPO-16V822MS32F2	8200	25 x 25	0.40	2.32
LPO-16V103MS25F2	10000	22 x 40	0.40	2.72
LPO-16V103MS33F2	10000	25 x 30	0.40	2.66
LPO-16V103MS51F2	10000	35 x 20	0.40	2.82
LPO-16V123MS26F2	12000	22 x 45	0.40	3.05
LPO-16V123MS34F2	12000	25 x 35	0.40	3.01
LPO-16V123MS42F2	12000	30 x 25	0.40	3.02
LPO-16V153MS27F2	15000	22 x 50	0.40	3.49
LPO-16V153MS35F2	15000	25 x 40	0.40	3.47
LPO-16V153MS43F2	15000	30 x 30	0.40	3.50
LPO-16V183MS36F2	18000	25 x 45	0.40	3.90
LPO-16V183MS44F2	18000	30 x 35	0.40	3.96
LPO-16V183MS52F2	18000	35 x 25	0.40	3.93
LPO-16V223MS37F2	22000	25 x 50	0.40	4.41
LPO-16V223MS45F2	22000	30 x 40	0.40	4.50
LPO-16V223MS53F2	22000	35 x 30	0.40	4.50
LPO-16V273MS46F2	27000	30 x 45	0.40	5.10
LPO-16V273MS54F2	27000	35 x 35	0.40	5.13
LPO-16V333MS47F2	33000	30 x 50	0.40	5.76
LPO-16V333MS55F2	33000	35 x 40	0.40	5.82
LPO-16V393MS56F2	39000	35 x 45	0.40	6.48
LPO-16V473MS57F2	47000	35 x 50	0.40	7.25
<b>25 V</b>				
LPO-25V222MS21F2	2200	22 x 20	0.40	1.10
LPO-25V332MS31F2	3300	25 x 20	0.40	1.41
LPO-25V392MS22F2	3900	22 x 25	0.40	1.53
LPO-25V472MS23F2	4700	22 x 30	0.40	1.75
LPO-25V472MS41F2	4700	30 x 20	0.40	1.82
LPO-25V562MS24F2	5600	22 x 35	0.40	1.98
LPO-25V562MS32F2	5600	25 x 25	0.40	1.92

ELNA PART NO. / WV (V)	CAP. (μF)	SIZE (φx L) (mm)	tan δ	Ripple Current (Arms)
LPO-25V682MS25F2	6800	22 x 40	0.40	2.25
LPO-25V682MS33F2	6800	25 x 30	0.40	2.20
LPO-25V682MS51F2	6800	35 x 20	0.40	2.34
LPO-25V822MS26F2	8200	22 x 45	0.40	2.53
LPO-25V822MS34F2	8200	25 x 35	0.40	2.50
LPO-25V822MS42F2	8200	30 x 25	0.40	2.51
LPO-25V103MS27F2	10000	22 x 50	0.40	2.86
LPO-25V103MS35F2	10000	25 x 40	0.40	2.84
LPO-25V103MS43F2	10000	30 x 30	0.40	2.87
LPO-25V123MS36F2	12000	25 x 45	0.40	3.20
LPO-25V123MS44F2	12000	30 x 35	0.40	3.25
LPO-25V123MS52F2	12000	35 x 25	0.40	3.23
LPO-25V153MS37F2	15000	25 x 50	0.40	3.65
LPO-25V153MS45F2	15000	30 x 40	0.40	3.73
LPO-25V153MS53F2	15000	35 x 30	0.40	3.74
LPO-25V183MS46F2	18000	30 x 45	0.40	4.19
LPO-25V183MS54F2	18000	35 x 35	0.40	4.21
LPO-25V223MS47F2	22000	30 x 50	0.40	4.73
LPO-25V223MS55F2	22000	35 x 40	0.40	4.78
LPO-25V273MS56F2	27000	35 x 45	0.40	5.42
<b>35 V</b>				
LPO-35V182MS21F2	1800	22 x 20	0.35	1.06
LPO-35V222MS31F2	2200	25 x 20	0.35	1.23
LPO-35V272MS22F2	2700	22 x 25	0.35	1.37
LPO-35V332MS23F2	3300	22 x 30	0.35	1.58
LPO-35V332MS41F2	3300	30 x 20	0.35	1.64
LPO-35V392MS24F2	3900	22 x 35	0.35	1.77
LPO-35V392MS32F2	3900	25 x 25	0.35	1.72
LPO-35V472MS25F2	4700	22 x 40	0.35	2.01
LPO-35V472MS33F2	4700	25 x 30	0.35	1.97
LPO-35V472MS51F2	4700	35 x 20	0.35	2.09
LPO-35V562MS26F2	5600	22 x 45	0.35	2.25
LPO-35V562MS34F2	5600	25 x 35	0.35	2.22
LPO-35V562MS42F2	5600	30 x 25	0.35	2.23
LPO-35V682MS27F2	6800	22 x 50	0.35	2.53
LPO-35V682MS35F2	6800	25 x 40	0.35	2.52
LPO-35V682MS43F2	6800	30 x 30	0.35	2.54

Note: Allowable Ripple Current 120 Hz at 85°C



## LPO Aluminum Electrolytic Capacitors For Audio

### Standard Ratings Type II

ELNA PART NO. / WV (V)	CAP. (μF)	SIZE (φx L) (mm)	tan δ	Ripple Current (Arms)
LPO-35V822MS36F2	8200	25 x 45	0.35	2.84
LPO-35V822MS44F2	8200	30 x 35	0.35	2.88
LPO-35V822MS52F2	8200	35 x 25	0.35	2.87
LPO-35V103MS37F2	10000	25 x 50	0.35	3.20
LPO-35V103MS45F2	10000	30 x 40	0.35	3.27
LPO-35V103MS53F2	10000	35 x 30	0.35	3.28
LPO-35V123MS46F2	12000	30 x 45	0.35	3.67
LPO-35V123MS54F2	12000	35 x 35	0.35	3.70
LPO-35V153MS47F2	15000	30 x 50	0.35	4.19
LPO-35V153MS55F2	15000	35 x 40	0.35	4.24
LPO-35V183MS56F2	18000	35 x 45	0.35	4.75
LPO-35V223MS57F2	22000	35 x 50	0.35	5.36
<b>42 V</b>				
LPO-42V122MS21F2	1200	22 x 20	0.35	0.87
LPO-42V182MS22F2	1800	22 x 25	0.35	1.12
LPO-42V182MS31F2	1800	25 x 20	0.35	1.12
LPO-42V222MS23F2	2200	22 x 30	0.35	1.29
LPO-42V272MS24F2	2700	22 x 35	0.35	1.48
LPO-42V272MS32F2	2700	25 x 25	0.35	1.44
LPO-42V272MS41F2	2700	30 x 20	0.35	1.48
LPO-42V332MS25F2	3300	22 x 40	0.35	1.69
LPO-42V332MS33F2	3300	25 x 30	0.35	1.65
LPO-42V332MS51F2	3300	35 x 20	0.35	1.75
LPO-42V392MS26F2	3900	22 x 45	0.35	1.88
LPO-42V392MS34F2	3900	25 x 35	0.35	1.86
LPO-42V392MS42F2	3900	30 x 25	0.35	1.86
LPO-42V472MS27F2	4700	22 x 50	0.35	2.11
LPO-42V472MS35F2	4700	25 x 40	0.35	2.10
LPO-42V472MS43F2	4700	30 x 30	0.35	2.12
LPO-42V562MS36F2	5600	25 x 45	0.35	2.35
LPO-42V562MS44F2	5600	30 x 35	0.35	2.39
LPO-42V562MS52F2	5600	35 x 25	0.35	2.38
LPO-42V682MS37F2	6800	25 x 50	0.35	2.65
LPO-42V682MS45F2	6800	30 x 40	0.35	2.71
LPO-42V682MS53F2	6800	35 x 30	0.35	2.71
LPO-42V822MS46F2	8200	30 x 45	0.35	3.04
LPO-42V822MS54F2	8200	35 x 35	0.35	3.07

ELNA PART NO. / WV (V)	CAP. (μF)	SIZE (φx L) (mm)	tan δ	Ripple Current (Arms)
LPO-42V103MS47F2	10000	30 x 50	0.35	3.43
LPO-42V103MS55F2	10000	35 x 40	0.35	3.48
LPO-42V123MS56F2	12000	35 x 45	0.35	3.89
LPO-42V153MS57F2	15000	35 x 50	0.35	4.44
<b>50 V</b>				
LPO-50V821MS21F2	820	22 x 20	0.30	0.78
LPO-50V122MS22F2	1200	22 x 25	0.30	0.99
LPO-50V122MS31F2	1200	25 x 20	0.30	0.99
LPO-50V182MS23F2	1800	22 x 30	0.30	1.27
LPO-50V182MS41F2	1800	30 x 20	0.30	1.31
LPO-50V222MS24F2	2200	22 x 35	0.30	1.45
LPO-50V222MS32F2	2200	25 x 25	0.30	1.41
LPO-50V222MS51F2	2200	35 x 20	0.30	1.55
LPO-50V272MS25F2	2700	22 x 40	0.30	1.65
LPO-50V272MS33F2	2700	25 x 30	0.30	1.62
LPO-50V272MS42F2	2700	30 x 25	0.30	1.68
LPO-50V332MS26F2	3300	22 x 45	0.30	1.87
LPO-50V332MS34F2	3300	25 x 35	0.30	1.85
LPO-50V392MS27F2	3900	22 x 50	0.30	2.08
LPO-50V392MS35F2	3900	25 x 40	0.30	2.07
LPO-50V392MS43F2	3900	30 x 30	0.30	2.10
LPO-50V392MS52F2	3900	35 x 25	0.30	2.15
LPO-50V472MS36F2	4700	25 x 45	0.30	2.33
LPO-50V472MS44F2	4700	30 x 35	0.30	2.38
LPO-50V472MS53F2	4700	35 x 30	0.30	2.45
LPO-50V562MS37F2	5600	25 x 50	0.30	2.60
LPO-50V562MS45F2	5600	30 x 40	0.30	2.66
LPO-50V562MS54F2	5600	35 x 35	0.30	2.75
LPO-50V682MS46F2	6800	30 x 45	0.30	3.01
LPO-50V682MS55F2	6800	35 x 40	0.30	3.11
LPO-50V822MS47F2	8200	30 x 50	0.30	3.37
LPO-50V822MS56F2	8200	35 x 45	0.30	3.49
LPO-50V103MS57F2	10000	35 x 50	0.30	3.94
<b>56 V</b>				
LPO-56V821MS21F2	820	22 x 20	0.30	0.78
LPO-56V122MS22F2	1200	22 x 25	0.30	0.99
LPO-56V122MS31F2	1200	25 x 20	0.30	0.99

Note: Allowable Ripple Current 120 Hz at 85°C



## LPO Aluminum Electrolytic Capacitors For Audio

### Standard Ratings Type II

ELNA PART NO. / WV (V)	CAP. (μF)	SIZE (φx L) (mm)	tan δ	Ripple Current (Arms)
LPO-56V152MS23F2	1500	22 x 30	0.30	1.16
LPO-56V182MS24F2	1800	22 x 35	0.30	1.31
LPO-56V182MS32F2	1800	25 x 25	0.30	1.28
LPO-56V182MS41F2	1800	30 x 20	0.30	1.32
LPO-56V222MS25F2	2200	22 x 40	0.30	1.50
LPO-56V222MS33F2	2200	25 x 30	0.30	1.47
LPO-56V222MS51F2	2200	35 x 20	0.30	1.56
LPO-56V272MS26F2	2700	22 x 45	0.30	1.70
LPO-56V272MS34F2	2700	25 x 35	0.30	1.68
LPO-56V272MS42F2	2700	30 x 25	0.30	1.69
LPO-56V332MS27F2	3300	22 x 50	0.30	1.92
LPO-56V332MS35F2	3300	25 x 40	0.30	1.91
LPO-56V332MS43F2	3300	30 x 30	0.30	1.93
LPO-56V392MS36F2	3900	25 x 45	0.30	2.13
LPO-56V392MS44F2	3900	30 x 35	0.30	2.17
LPO-56V392MS52F2	3900	35 x 25	0.30	2.16
LPO-56V472MS37F2	4700	25 x 50	0.30	2.39
LPO-56V472MS45F2	4700	30 x 40	0.30	2.45
LPO-56V472MS53F2	4700	35 x 30	0.30	2.46
LPO-56V562MS46F2	5600	30 x 45	0.30	2.74
LPO-56V562MS54F2	5600	35 x 35	0.30	2.76
LPO-56V682MS47F2	6800	30 x 50	0.30	3.08
LPO-56V682MS55F2	6800	35 x 40	0.30	3.12
LPO-56V822MS56F2	8200	35 x 45	0.30	3.51
LPO-56V103MS57F2	10000	35 x 50	0.30	3.95
<b>63 V</b>				
LPO-63V561MS21F2	560	22 x 20	0.30	0.64
LPO-63V821MS31F2	820	25 x 20	0.30	0.82
LPO-63V102MS22F2	1000	22 x 25	0.30	0.91
LPO-63V122MS23F2	1200	22 x 30	0.30	1.04
LPO-63V122MS41F2	1200	30 x 20	0.30	1.08
LPO-63V152MS24F2	1500	22 x 35	0.30	1.20
LPO-63V152MS32F2	1500	25 x 25	0.30	1.17
LPO-63V182MS25F2	1800	22 x 40	0.30	1.36
LPO-63V182MS33F2	1800	25 x 30	0.30	1.33
LPO-63V182MS51F2	1800	35 x 20	0.30	1.42
LPO-63V222MS26F2	2200	22 x 45	0.30	1.54

ELNA PART NO. / WV (V)	CAP. (μF)	SIZE (φx L) (mm)	tan δ	Ripple Current (Arms)
LPO-63V222MS34F2	2200	25 x 35	0.30	1.52
LPO-63V222MS42F2	2200	30 x 25	0.30	1.53
LPO-63V272MS27F2	2700	22 x 50	0.30	1.74
LPO-63V272MS35F2	2700	25 x 40	0.30	1.73
LPO-63V272MS43F2	2700	30 x 30	0.30	1.76
LPO-63V272MS52F2	2700	35 x 25	0.30	1.81
LPO-63V332MS36F2	3300	25 x 45	0.30	1.97
LPO-63V332MS44F2	3300	30 x 35	0.30	2.00
LPO-63V392MS37F2	3900	25 x 50	0.30	2.19
LPO-63V392MS45F2	3900	30 x 40	0.30	2.24
LPO-63V392MS53F2	3900	35 x 30	0.30	2.25
LPO-63V472MS46F2	4700	30 x 45	0.30	2.52
LPO-63V472MS54F2	4700	35 x 35	0.30	2.54
LPO-63V562MS47F2	5600	30 x 50	0.30	2.81
LPO-63V562MS55F2	5600	35 x 40	0.30	2.84
LPO-63V682MS56F2	6800	35 x 45	0.30	3.20
LPO-63V822MS57F2	8200	35 x 50	0.30	3.59
<b>71 V</b>				
LPO-71V471MS21F2	470	22 x 20	0.30	0.59
LPO-71V681MS31F2	680	25 x 20	0.30	0.75
LPO-71V821MS22F2	820	22 x 25	0.30	0.82
LPO-71V102MS23F2	1000	22 x 30	0.30	0.95
LPO-71V102MS41F2	1000	30 x 20	0.30	0.99
LPO-71V122MS24F2	1200	22 x 35	0.30	1.08
LPO-71V122MS32F2	1200	25 x 25	0.30	1.05
LPO-71V152MS25F2	1500	22 x 40	0.30	1.24
LPO-71V152MS33F2	1500	25 x 30	0.30	1.22
LPO-71V152MS42F2	1500	30 x 25	0.30	1.27
LPO-71V152MS51F2	1500	35 x 20	0.30	1.30
LPO-71V182MS26F2	1800	22 x 45	0.30	1.40
LPO-71V182MS34F2	1800	25 x 35	0.30	1.38
LPO-71V222MS27F2	2200	22 x 50	0.30	1.58
LPO-71V222MS35F2	2200	25 x 40	0.30	1.57
LPO-71V222MS43F2	2200	30 x 30	0.30	1.59
LPO-71V222MS52F2	2200	35 x 25	0.30	1.64
LPO-71V272MS36F2	2700	25 x 45	0.30	1.79
LPO-71V272MS44F2	2700	30 x 35	0.30	1.82

Note: Allowable Ripple Current 120 Hz at 85°C

## LPO Aluminum Electrolytic Capacitors For Audio

### Standard Ratings Type II

ELNA PART NO. / WV (V)	CAP. (μF)	SIZE (φx L) (mm)	tan δ	Ripple Current (Arms)
LPO-71V272MS53F2	2700	35 x 30	0.30	1.88
LPO-71V332MS37F2	3300	25 x 50	0.30	2.02
LPO-71V332MS45F2	3300	30 x 40	0.30	2.07
LPO-71V332MS54F2	3300	35 x 35	0.30	2.14
LPO-71V392MS46F2	3900	30 x 45	0.30	2.30
LPO-71V392MS55F2	3900	35 x 40	0.30	2.38
LPO-71V472MS47F2	4700	30 x 50	0.30	2.58
LPO-71V472MS56F2	4700	35 x 45	0.30	2.68
LPO-71V562MS57F2	5600	35 x 50	0.30	2.98
<b>80 V</b>				
LPO-80V471MS21F2	470	22 x 20	0.30	0.59
LPO-80V681MS22F2	680	22 x 25	0.30	0.75
LPO-80V681MS31F2	680	25 x 20	0.30	0.75
LPO-80V821MS23F2	820	22 x 30	0.30	0.86
LPO-80V821MS41F2	820	30 x 20	0.30	0.90
LPO-80V102MS24F2	1000	22 x 35	0.30	0.98
LPO-80V102MS32F2	1000	25 x 25	0.30	0.96
LPO-80V122MS25F2	1200	22 x 40	0.30	1.12
LPO-80V122MS33F2	1200	25 x 30	0.30	1.09
LPO-80V122MS51F2	1200	35 x 20	0.30	1.17
LPO-80V152MS26F2	1500	22 x 45	0.30	1.28
LPO-80V152MS34F2	1500	25 x 35	0.30	1.27
LPO-80V152MS42F2	1500	30 x 25	0.30	1.27
LPO-80V182MS27F2	1800	22 x 50	0.30	1.43
LPO-80V182MS35F2	1800	25 x 40	0.30	1.43
LPO-80V182MS43F2	1800	30 x 30	0.30	1.45
LPO-80V182MS52F2	1800	35 x 25	0.30	1.49
LPO-80V222MS36F2	2200	25 x 45	0.30	1.62
LPO-80V222MS44F2	2200	30 x 35	0.30	1.65
LPO-80V222MS53F2	2200	35 x 30	0.30	1.70
LPO-80V272MS37F2	2700	25 x 50	0.30	1.83
LPO-80V272MS45F2	2700	30 x 40	0.30	1.88
LPO-80V272MS54F2	2700	35 x 35	0.30	1.94
LPO-80V332MS46F2	3300	30 x 45	0.30	2.13
LPO-80V332MS55F2	3300	35 x 40	0.30	2.20
LPO-80V392MS47F2	3900	30 x 50	0.30	2.36
LPO-80V392MS56F2	3900	35 x 45	0.30	2.45

ELNA PART NO. / WV (V)	CAP. (μF)	SIZE (φx L) (mm)	tan δ	Ripple Current (Arms)
LPO-80V472MS57F2	4700	35 x 50	0.30	2.74
<b>100 V</b>				
LPO-100V271MS21F2	270	22 x 20	0.30	0.45
LPO-100V331MS31F2	330	25 x 20	0.30	0.53
LPO-100V391MS22F2	390	22 x 25	0.30	0.57
LPO-100V561MS23F2	560	22 x 30	0.30	0.72
LPO-100V561MS32F2	560	25 x 25	0.30	0.72
LPO-100V561MS41F2	560	30 x 20	0.30	0.75
LPO-100V681MS24F2	680	22 x 35	0.30	0.82
LPO-100V681MS33F2	680	25 x 30	0.30	0.83
LPO-100V681MS51F2	680	35 x 20	0.30	0.89
LPO-100V821MS25F2	820	22 x 40	0.30	0.93
LPO-100V821MS34F2	820	25 x 35	0.30	0.94
LPO-100V821MS42F2	820	30 x 25	0.30	0.95
LPO-100V102MS26F2	1000	22 x 45	0.30	1.05
LPO-100V102MS35F2	1000	25 x 40	0.30	1.07
LPO-100V102MS43F2	1000	30 x 30	0.30	1.09
LPO-100V122MS27F2	1200	22 x 50	0.30	1.18
LPO-100V122MS36F2	1200	25 x 45	0.30	1.21
LPO-100V122MS44F2	1200	30 x 35	0.30	1.23
LPO-100V122MS52F2	1200	35 x 25	0.30	1.23
LPO-100V152MS37F2	1500	25 x 50	0.30	1.38
LPO-100V152MS45F2	1500	30 x 40	0.30	1.41
LPO-100V152MS53F2	1500	35 x 30	0.30	1.42
LPO-100V182MS46F2	1800	30 x 45	0.30	1.59
LPO-100V182MS54F2	1800	35 x 35	0.30	1.61
LPO-100V222MS47F2	2200	30 x 50	0.30	1.79
LPO-100V222MS55F2	2200	35 x 40	0.30	1.82
LPO-100V272MS56F2	2700	35 x 45	0.30	2.06
LPO-100V332MS57F2	3300	35 x 50	0.30	2.33

Note: Allowable Ripple Current 120 Hz at 85°C